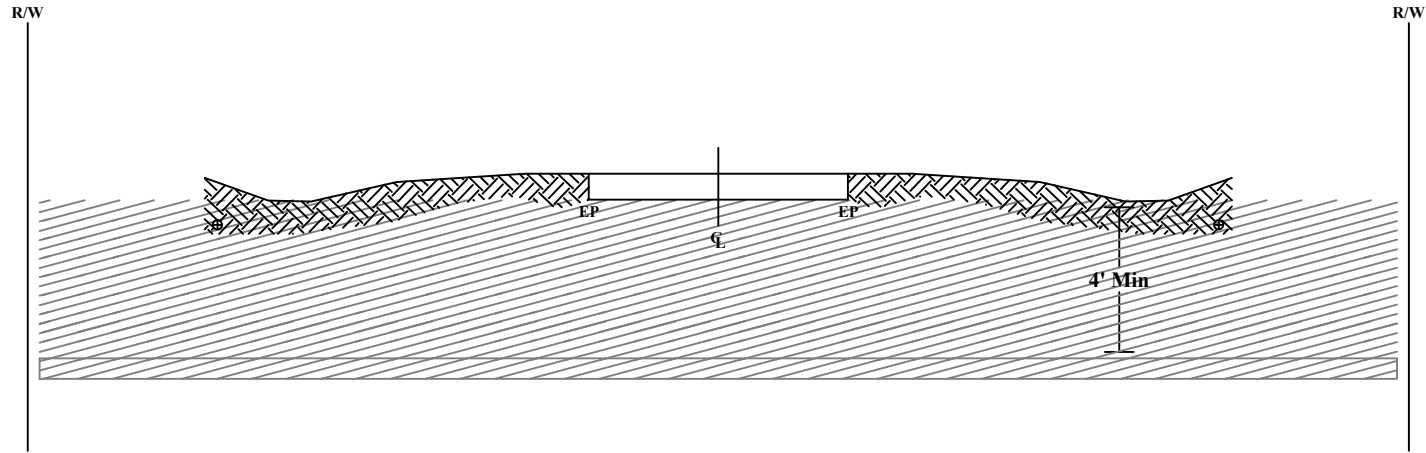
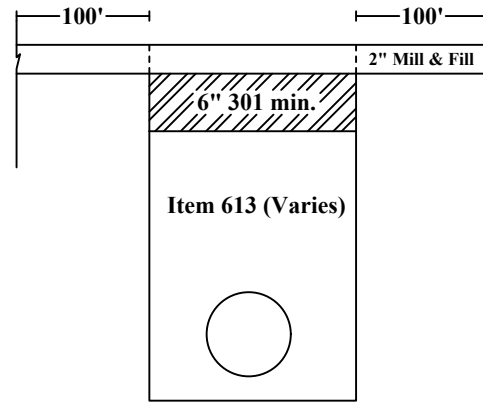


UNDERGROUND UTILITIES
 CALL
 2 WORKING DAYS
 BEFORE YOU DIG
 CALL TOLL FREE 800-362-2764
 OHIO UTILITIES PROTECTION SERVICE



- **Back fill shall be Item 613, CDF, capped with 6" of compacted stone then finished with the required 6" of 301
- **Asphalt shall meet or exceed requirements of "Minimum Standards for Pavement Composition"
- **Tack shall be required between all layers of asphalt and prior to placement of 301
- **All joints shall be saw cut and sealed.
- **Area shall be seeded according Item 659, unless otherwise specified by County Engineer
- **Flow of ditch must be maintained at all times
- **Any existing tiles damaged shall be replaced with the same size N-12 plastic or similar approved material, including all couplings
- **Pickaway County Engineer Inspector shall be contacted to view open trench prior to placement of any backfill by the contractor

Minimum Standards for Open Cut Trench Under County Roads

Pickaway County Engineer

Dep. Pickaway County Engineer

Approved:

1/3/18

Revised

Open Cut Trench
 Under County Roads

